

# BACKWATER VALVES

## ABS DWV AND PVC SOLVENT WELD

BWV-0913  
SEPT. 2013  
SUPERCEDES BWV-0613

ASTM D 2661 ASTM D 2665 ASME A 112.14.1

DESCRIPTION	ITEM	DIMENSION	CARTON	LIST PRICE
<b>ABS BACKWATER VALVE (Hub X Hub)</b>				
	601799	1-1/2"	8	77.97
	601807	2"	8	77.97
	601815	3"	4	92.24
	601823	4"	3	105.23
<b>PVC BACKWATER VALVE (Hub X Hub)</b>				
	433631	1-1/2"	12	77.97
	433649	2"	8	77.97
	433656	3"	4	92.24
	433664	4"	3	105.23
<b>ABS BACKWATER VALVE With 16" Extension (Hub X Hub)</b>				
	601831	3"	1	118.16
	601849	4"	1	151.99
<b>PVC BACKWATER VALVE With 16" Extension (Hub X Hub)</b>				
	429308	3"	1	118.16
	429407	4"	1	151.99

### REPLACEMENT PARTS FOR BACKWATER VALVES

1-1/2" & 2" CAP ABS	326652	15.84		3" FLAPPER	327023	5.91
1-1/2" & 2" CAP PVC	326553	15.84		3" FLAPPER O-RING	327627	5.61
1-1/2" & 2" O-RING	922799	2.12		4" EXTENSION SLEEVE	428417	90.93
1-1/2" & 2" FLAPPER	326751	17.39		4" EXTENSION LID	428508	17.26
1-1/2" & 2" RUBBER GASKET	922872	5.18		4" CAP ABS	328609	29.88
3" EXTENSION SLEEVE	327429	65.32		4" CAP PVC	428201	29.88
3" EXTENSION LID	327528	12.51		4" COVER O-RING	920363	6.14
3" CAP ABS	327221	19.12		4" FLAPPER	328708	9.22
3" CAP PVC	429001	19.12		4" FLAPPER O-RING	323907	6.38
3" COVER O-RING	327320	2.12				



# BACKWATER VALVES

## ABS DWV AND PVC SOLVENT WELD

**BWV-0913**  
 SEPT. 2013  
 SUPERCEDES BWV-0613

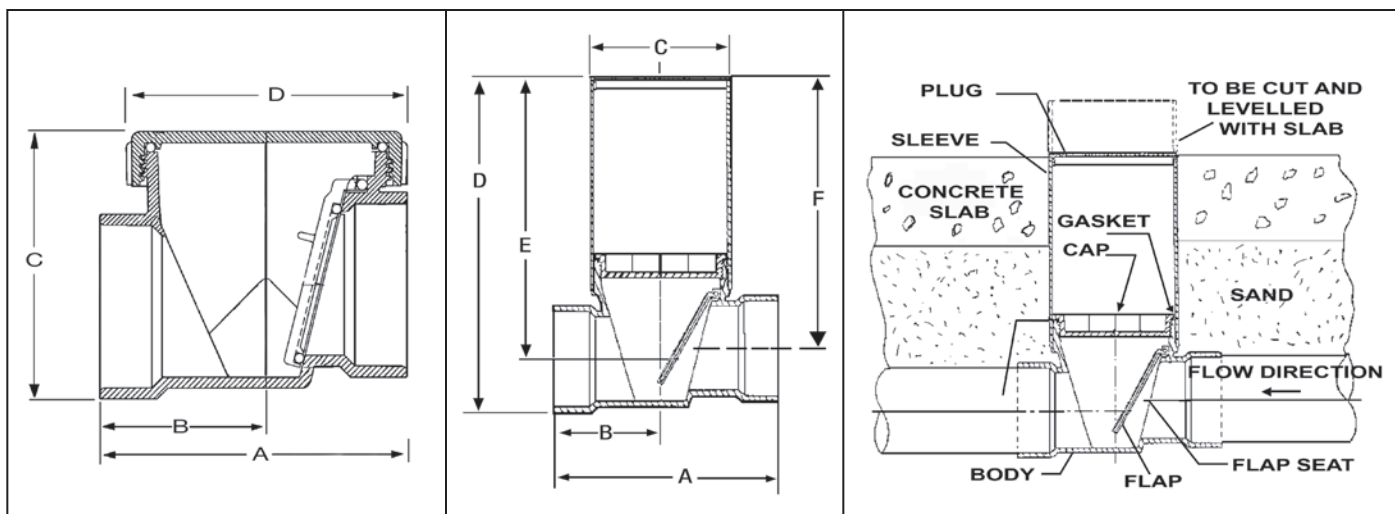
ASTM D 2661  
 ASTM D 2665  
 ASME A 112.14.1



- ◆ Made of ABS and PVC materials which will not pit or corrode
- ◆ Designed with smooth walls and rounded corners to prevent accumulation of solid waste
- ◆ Used in drainage systems where a flood risk exists due to sewer surcharge, back-ups or failures
- ◆ Intended for use with piping systems running horizontally downstream of drainage fixtures
- ◆ Installed in drainage fixtures on the lowest floor, used with laundry tubs, washing machines, dishwashers and floor drains

DIMENSIONS WITHOUT EXTENSION						
DIMENSIONS inch (mm)						
NOMINAL SIZE	MATERIAL	ITEM	A	B	C	D
1-1/2"	ABS	601799	4 1/4	2 3/16	3 7/8	4 1/8
	PVC	433631	(108)	(56)	(98)	(105)
2"	ABS	601807	4 1/2	2 7/16	3 15/16	4 1/8
	PVC	433649	(114)	(62)	(100)	(105)
3"	ABS	601815	7 1/2	4	6	5 7/16
	PVC	433656	(190)	(101)	(153)	(138)
4"	ABS	601823	8 3/4	4 3/4	7 1/4	6 1/2
	PVC	433664	(222)	(121)	(185)	(165)

DIMENSIONS WITH EXTENSION								
DIMENSIONS inch (mm)								
NOMINAL SIZE	MATERIAL	ITEM	A	B	C	D	E	F
3"	ABS	601831	7 1/2	4	5 7/16	21 3/18	19 3/16	18 7/8
	PVC	429308	(190)	(101)	(137)	(538)	(487)	(479)
4"	ABS	601849	8 3/4	4 3/4	6 1/2	22	19 9/16	19 3/16
	PVC	429407	(222)	(121)	(165)	(559)	(497)	488



**BOW INDUSTRIAL CORPORATION** Champlain, NY  
 Tel: 800.852.8527 info@bow-group.com  
 Fax: 800.526.5668 www.bow-group.com

©BOW MTL  
 092013

